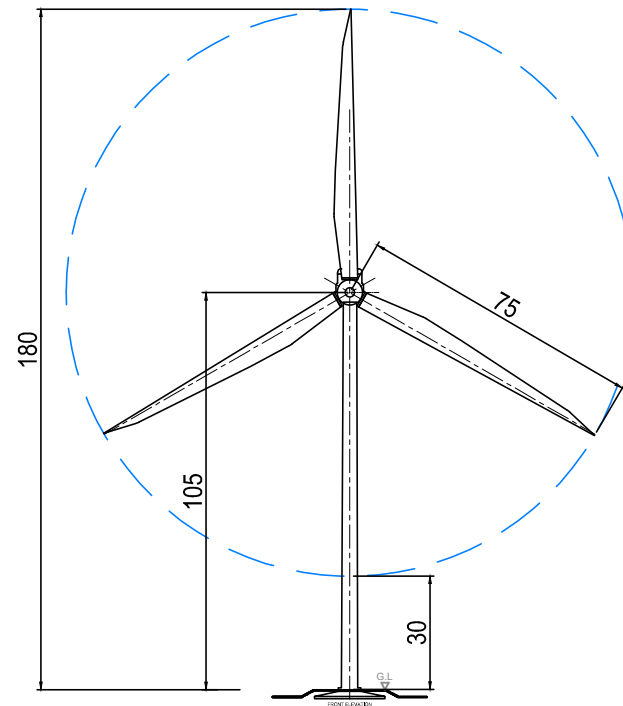


Option A - ENERCON

Turbine Specifications:

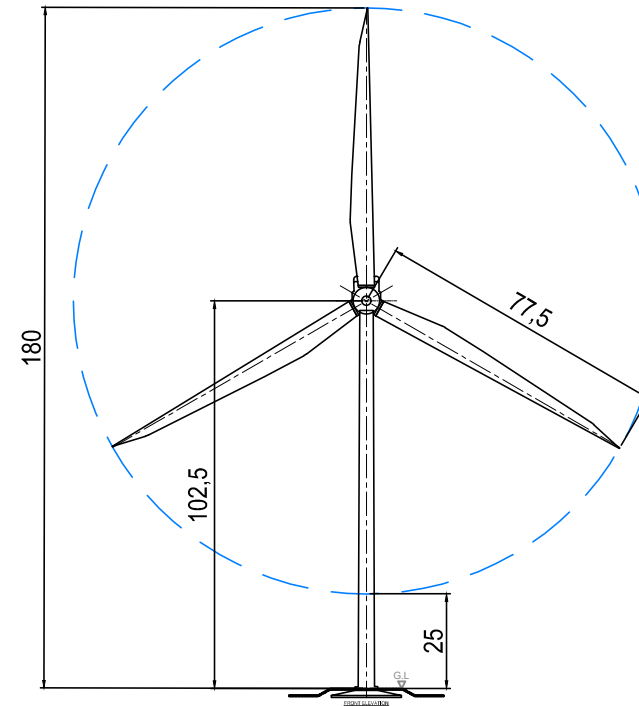
- WTG Type : E-136 EPS-4.65
- WTG Capacity : 4.65MW
- Hub Height : 112m
- Blade Length: 68m
- Tip Height : 180m



Option B - Vestas

Turbine Specifications:

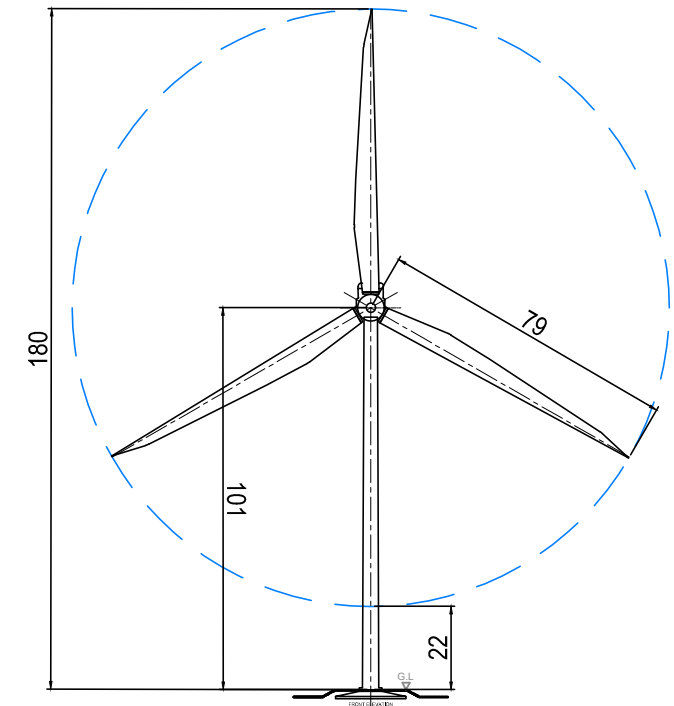
- WTG Type : V150
- WTG Capacity : 5.60MW
- Hub Height : 105m
- Blade Length: 75m
- Tip Height : 180m



Option C - Siemens

Turbine Specifications:

- WTG Type : SG 5.8-155
- WTG Capacity : 5.80MW
- Hub Height : 102.5m
- Blade Length: 77.5m
- Tip Height : 180m



Option D - GE

Turbine Specifications:

- WTG Type : 5.3-158
- WTG Capacity : 5.3MW
- Hub Height : 101m
- Blade Length: 79m
- Tip Height : 180m

THIS DRAWING IS FOR PLANNING PURPOSES ONLY. IT IS NOT TO BE USED AS A CONSTRUCTION DRAWING.



ScottishPower Renewables
320 St Vincent Street
Glasgow
G2 5AD

Email: info@scottishpowerrenewables.com
Web: www.scottishpowerrenewables.com

This drawing is the property of ScottishPower Renewables UK Ltd. It is a confidential document and must not be copied, used, or its contents divulged without prior written consent.

Scale 1:200 @ A3

Rev.	Date	By	Amendments

Project	BARNESMORE WINDFARM REPOWERING
---------	---------------------------------------

Title	CANDIDATE WIND TURBINE DETAILS
	FIGURE 2.10

Issue Details	
Designed: JOD	Information
Drawn: A.McC	Approval
Checked: S.M	Tender
Approved: DK	Construction
Scale: 1:200	Record

Office Use Only	
Drawing Number:	5952-1000-1002
Date:	19/10/19
Rev.	